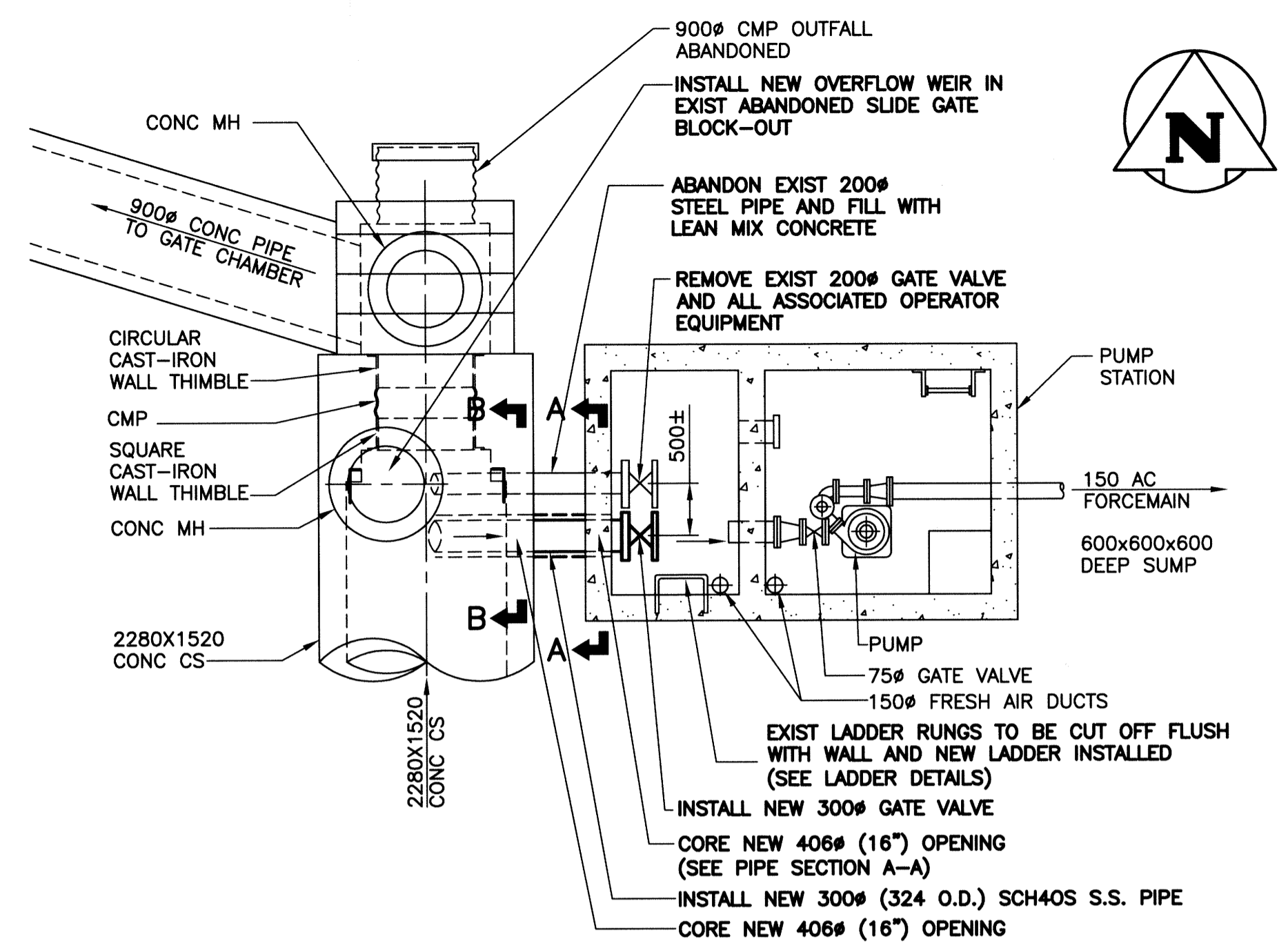
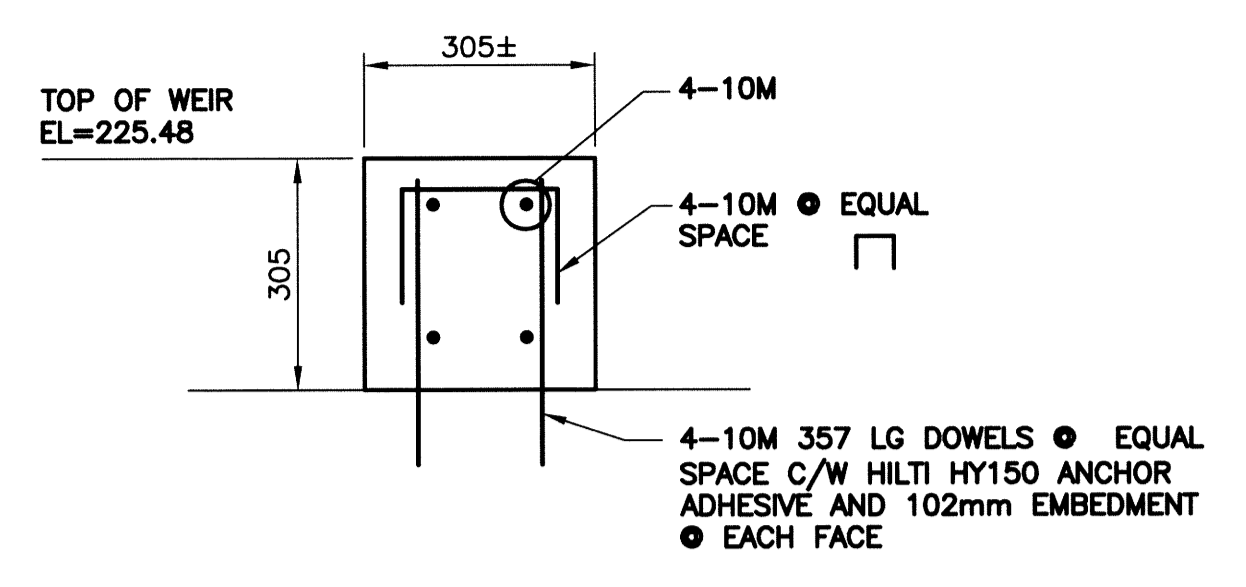


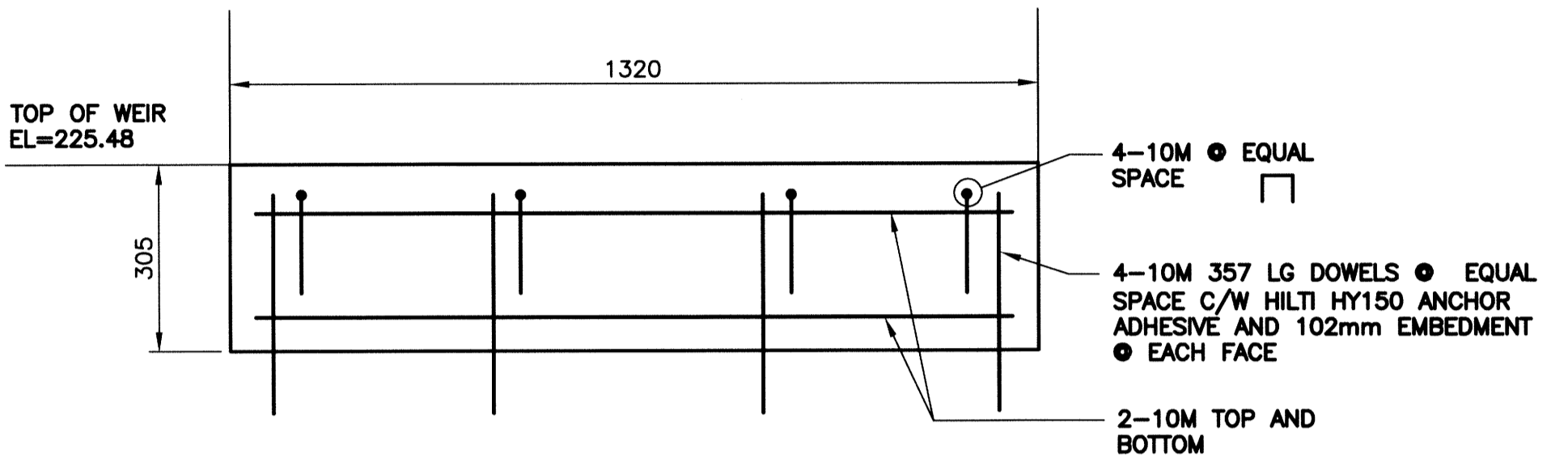
File Name: P:\Projects\2011\11-0107-33\DocControl\ToBeIssued\DWG\11-0107-33\_LD-6947-Rev 0.dwg - Tab: LD-6947 Plotted By: Dberche 12/11/29 [Thu 1:13pm]



**PLAN**

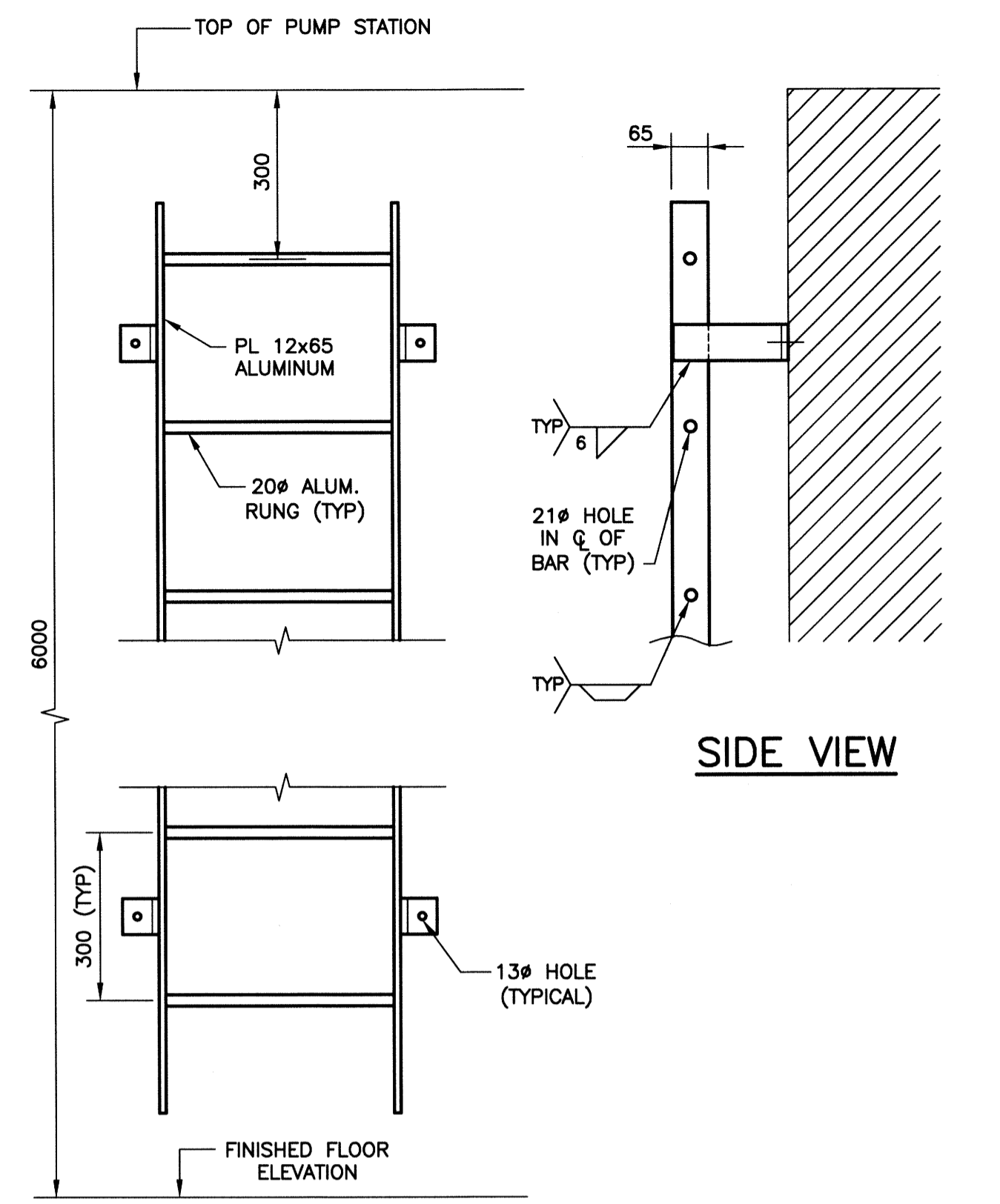


**CROSS SECTION**



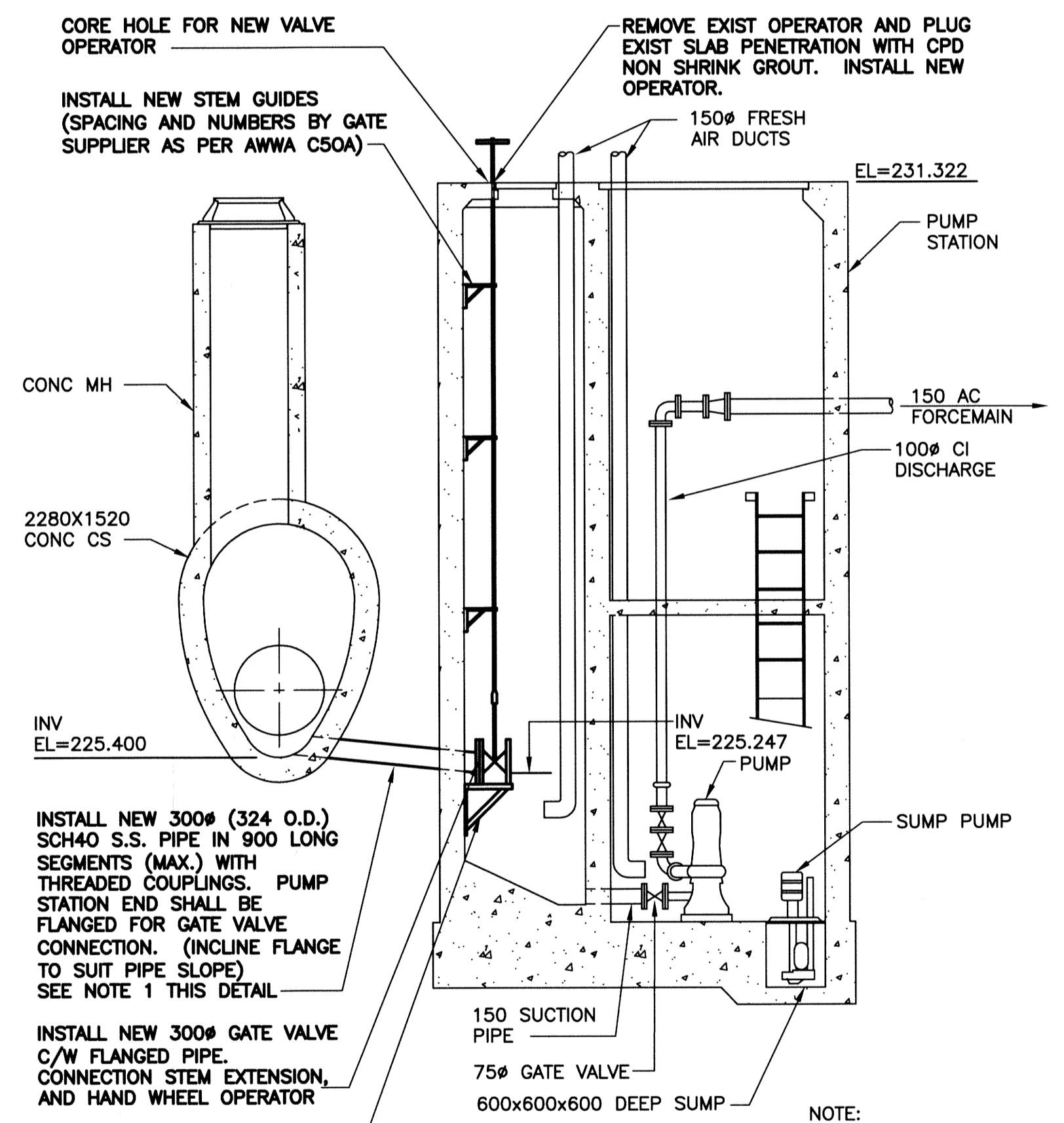
**ELEVATION**

**OVERFLOW WEIR DETAILS**  
SCALE: NTS



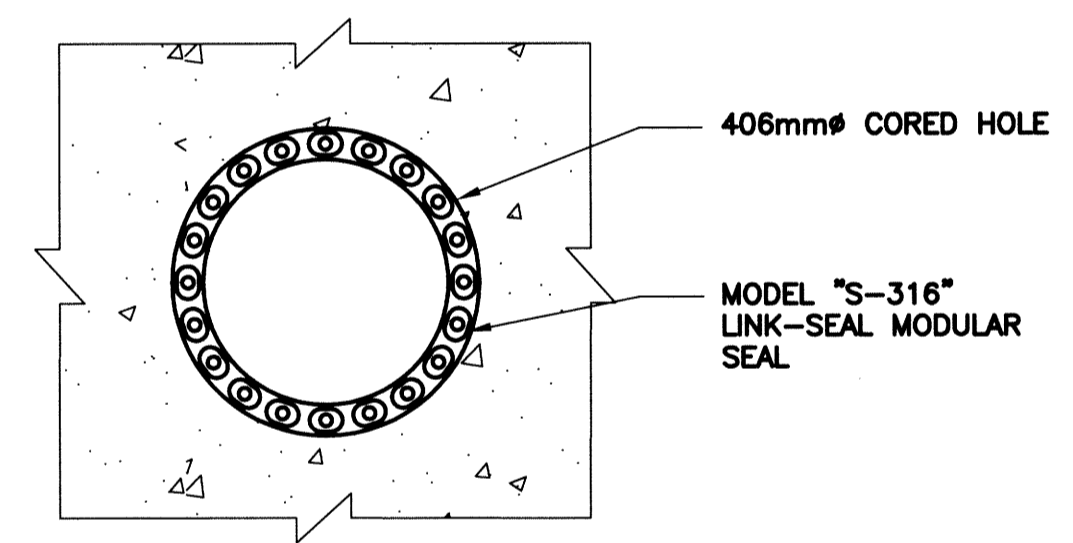
**ELEVATION**

**SIDE VIEW**

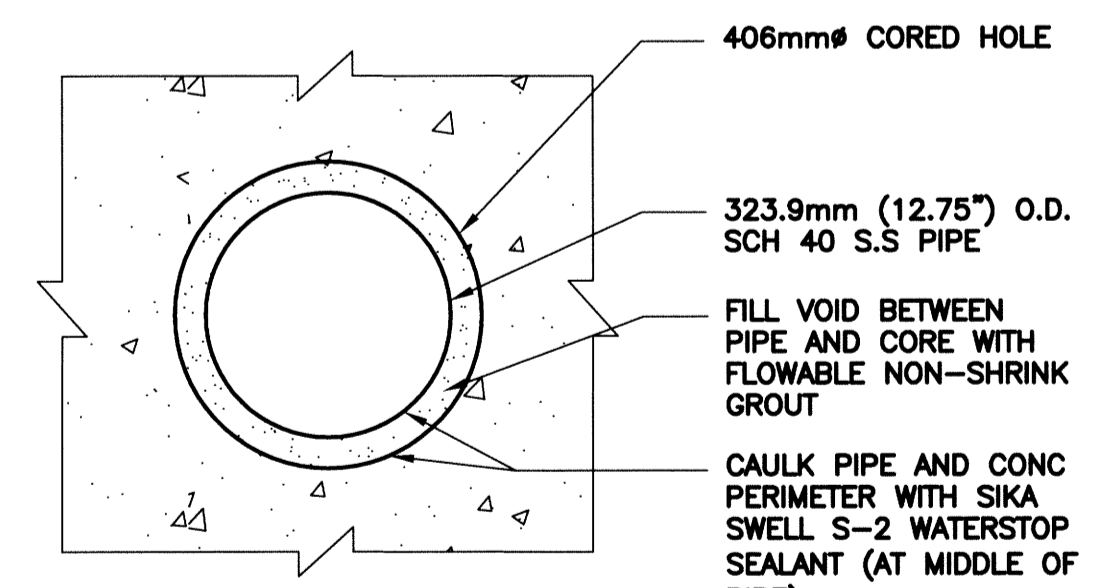


**CROSS SECTION**

**PUMP STATION - PIPE REPLACEMENT DETAILS**



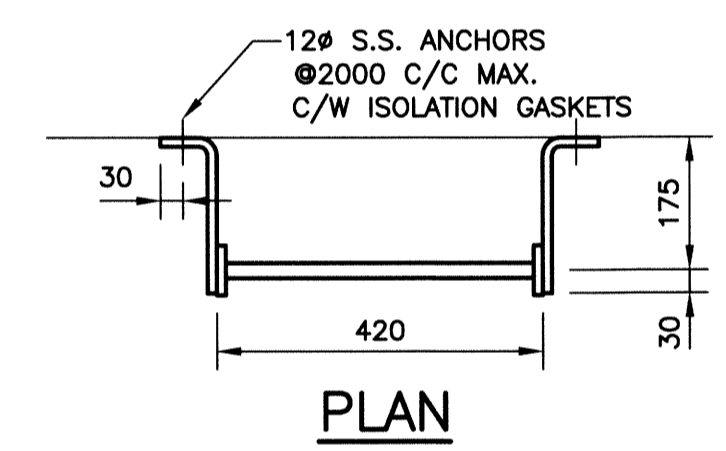
**PIPE SECTION A-A**  
SCALE: 1:50



**PIPE SECTION B-B**  
SCALE: 1:50

**NOTES:**

- LADDER**
- ALL ALUMINUM CONFORMS TO THE ALUMINUM ASSOCIATION "SPECIFICATIONS FOR ALUMINUM STRUCTURES"-(LATEST EDITION). ALUMINUM FOR PLATES TYPE 5086.
  - ALL ALUMINUM IN CONTACT WITH CONCRETE OR CAST INTO CONCRETE SHALL BE COATED WITH A BITUMINOUS ISOLATION COATING MEETING ASTM D1187.
  - ALL NUTS, BOLTS AND ANCHORS CONFORM TO ASTM A276, TYPE 316 STAINLESS STEEL. STAINLESS STEEL ANCHORS SHALL BE ISOLATED FROM DIRECT CONTACT WITH ALUMINUM WITH NYLON HEADED SLEEVES. ADHESIVE SHALL BE HILTI HY150 OR APPROVED EQUIVALENT IN ACCORDANCE WITH B6 OF THE BID DOCUMENTS.
- GATE VALVE**
- GATE VALVE TO BE CAST IRON BODY WITH FLANGED ENDS, MEETING AWWA C509 AND C515 AND BE APPROVED BY THE ULC.
  - GATE VALVE SHALL HAVE A BRONZE TRIMMED CAST-IRON WEDGE, BRONZE STEM (NON-RISING), DOUBLE O-RING STEM SEALS AND A 50 MILLIMETER SQUARE OPENING NUT.
  - THE GATE VALVE SHALL BE SUPPLIED WITH A WALL SUPPORT BRACKET, STEM EXTENSION AND HAND OPERATOR WHEEL. DISTANCE FROM GATE INVERT TO TOP OF FLOOR IS 6075 mm (TO BE FIELD CONFIRMED BY CONTRACTOR.)
  - SHOP DRAWINGS SHALL BE SUBMITTED IN ACCORDANCE WITH THE BID DOCUMENTS.
  - GATE VALVES SHALL BE MANUFACTURED BY CLOW CANAD, CRANE, MUELLER CANADA OR AN APPROVED EQUIVALENT IN ACCORDANCE WITH B6 OF THE BID DOCUMENTS.



**PLAN**

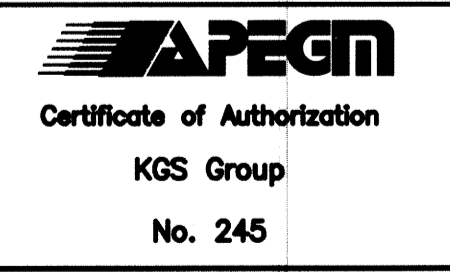
**LADDER DETAILS**  
SCALE: NTS

**WARNING**

- NOTIFY THE GAS COMPANY OF THE PROPOSED LOCATION OF EXCAVATION.
- TAKE PRECAUTION TO AVOID DAMAGE TO GAS COMPANY INSTALLATIONS.
- SEE PROVINCIAL REGULATION 210/72 FOR DETAILS.

**METRIC**

WHOLE NUMBERS INDICATE MILLIMETRES  
DECIMALIZED NUMBERS INDICATE METRES



150 WM	WATERMAIN	150 WM	HYDRO	150 WM	HYDRO	150 WM	HYDRO
+	HYDRANT	+	M.T.S.	+	M.T.S.	+	M.T.S.
⊕	VALVE	⊕	PROPERTY LINE	⊕	PROPERTY LINE	⊕	PROPERTY LINE
—+—	LAND DRAINAGE SEWER	—+—	SURVEY BAR	—+—	SURVEY BAR	—+—	SURVEY BAR
—●—	WASTE WATER SEWER	—●—	LIGHT STANDARD	—●—	LIGHT STANDARD	—●—	LIGHT STANDARD
○	MANHOLE	○	HYDRO POLE	○	HYDRO POLE	○	HYDRO POLE
□	CATCH BASIN	□	GUY WIRE	□	GUY WIRE	□	GUY WIRE
▽	CURB INLET	▽	SIGN	▽	SIGN	▽	SIGN
+	JUNCTIONS	+	BUSH LINE	+	BUSH LINE	+	BUSH LINE
—	CULVERT	—	FENCE	—	FENCE	—	FENCE
—	GAS	—	ELEVATION	—	ELEVATION	—	ELEVATION
—	EXISTING	—	LEGEND-PLAN	—	LEGEND-PLAN	—	LEGEND-PROFILE
—	PROPOSED	—	EXISTING	—	PROPOSED	—	PROPOSED

**LOCATION APPROVED UNDERGROUND STRUCTURES**

SUPV. U/G STRUCTURES COMMITTEE DATE

**NOTE:**  
LOCATION OF UNDERGROUND STRUCTURES AS SHOWN ARE BASED ON THE BEST INFORMATION AVAILABLE BUT NO GUARANTEE IS GIVEN THAT ALL EXISTING UTILITIES ARE SHOWN OR THAT THE GIVEN LOCATIONS ARE EXACT. CONFIRMATION OF EXISTENCE AND EXACT LOCATION OF ALL SERVICES MUST BE OBTAINED FROM THE INDIVIDUAL UTILITIES BEFORE PROCEEDING WITH CONSTRUCTION.

KGS BASE ELEV.	DWGS BASED ON C.S.R.S. NAD 83 SYSTEM, UTM GRID
0	ISSUED FOR TENDER
NO.	REVISIONS
DATE	DATE
BY	BY

DESIGNED BY		CHECKED BY	
KD	RBO	KD	RBO
DRAWN BY		APPROVED BY	
DMW			
HOR. SCALE:		VERTICAL:	
1:250	1:50		
DATE		DATE	
12/09/05			

ENGINEER'S SEAL

R.B. OFFMAN  
Member  
24701  
REGISTERED PROFESSIONAL ENGINEER

CONSULTANT DRAWING NO.  
11-0107-33

**THE CITY OF WINNIPEG**  
WATER & WASTE DEPARTMENT

2012 OUTFALL RENEWAL/REHABILITATION PROGRAM  
CHATAWAY BOULEVARD OUTFALL (AS-60)  
NEW WEIR AND LIFT STATION UPGRADES

SHEET 02 OF 09  
CAD FILE DRAWING NUMBER 11-0107-33  
CITY DRAWING NUMBER LD-6947